



KDS 6190

1U rack mount LCD keyboard drawer

# Installation Guide

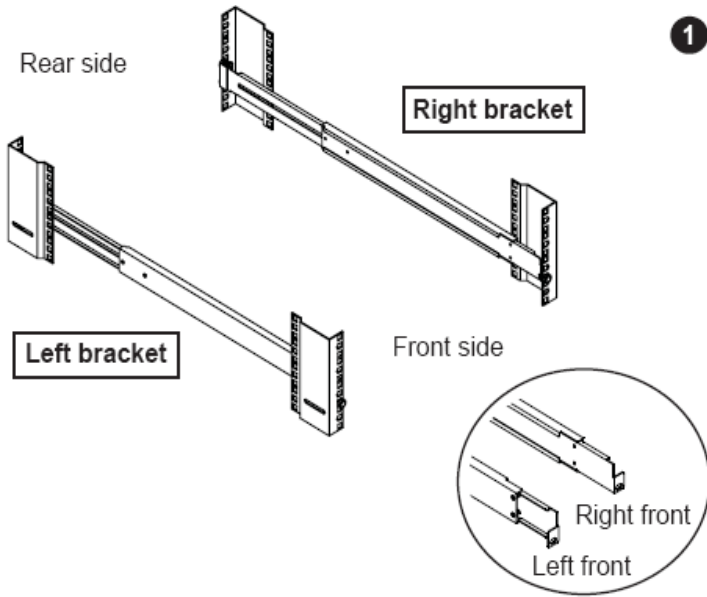
KDS 6190, 1U 19" rack mount monitor keyboard drawer

# KDS 6190

## 1U rack mount LCD keyboard drawer

### 1.5 How to Install “One Man” Installation Slides into rack

1



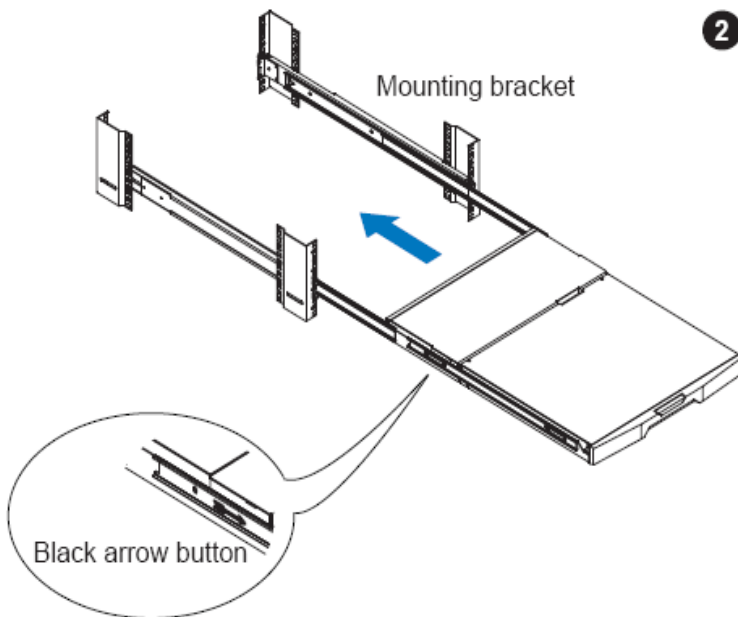
Attach the left and right mounting bracket to rack 19" mounting rails.

Adjust the rear mounting bracket to fit your rack.

M6 screw and cup washer x 6 piece included.

Caution : Leaving the screws slightly loose, until you complete the installation in step 4

2



Pick up the LCD keyboard drawer.

Insert the LCD keyboard drawer into the mounting bracket.

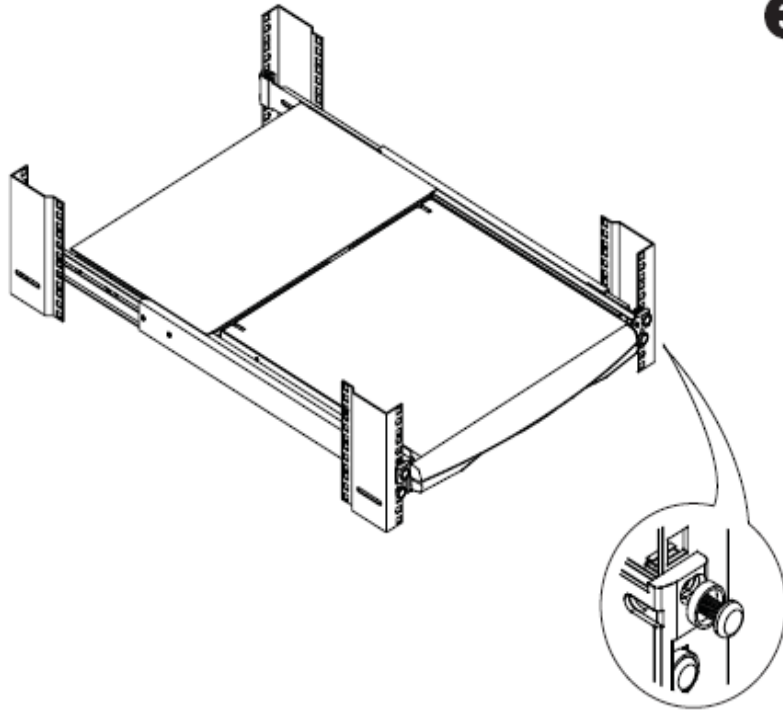
Pull and hold the left & right black arrow buttons on the rails.

Return the LCD keyboard drawer to park position

# KDS 6190

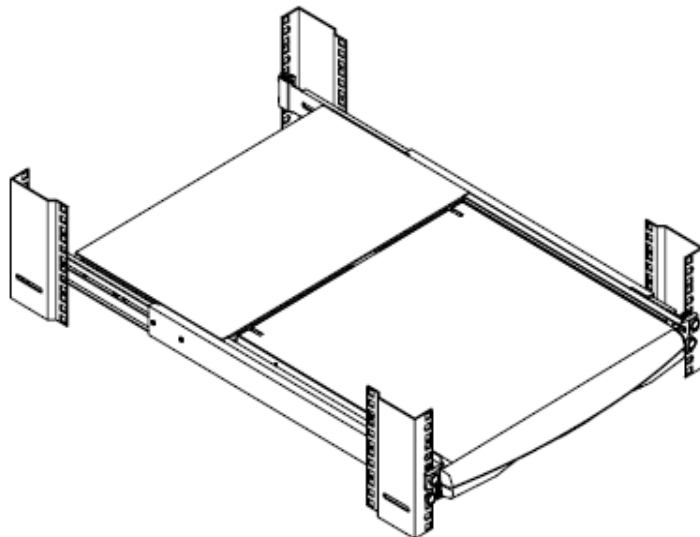
1U rack mount LCD keyboard drawer

## 1.6 How to Install “One Man” Installation Slides



3

Attach front left and right mounting ears of the LCD keyboard drawer to vertical mounting rails.  
? M6 screw and cup washer x 2 pcs included.



4

Complete the installation  
Insert all 8 piece of M6 screw to complete the installation

# KDS 6190

## 1U rack mount LCD keyboard drawer

### 1.7 How to Use the Slides

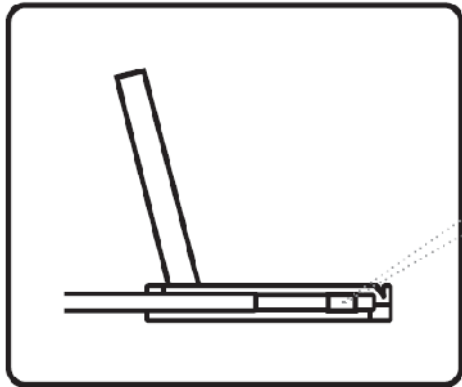


Figure 1.

? A black arrow release button is located on the outside of each slide. (shown in Figure 1).

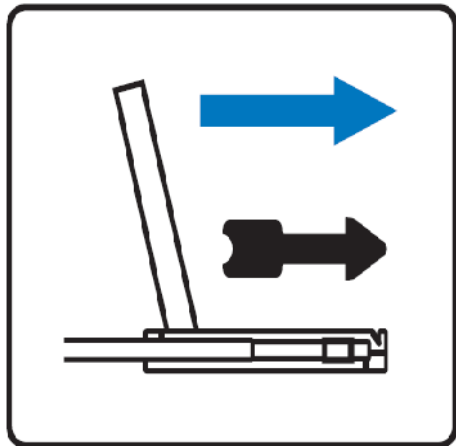


Figure 2.

Pull and hold the black arrow button on either side of the LCD keyboard drawer to unlock. (shown in Figure 2).

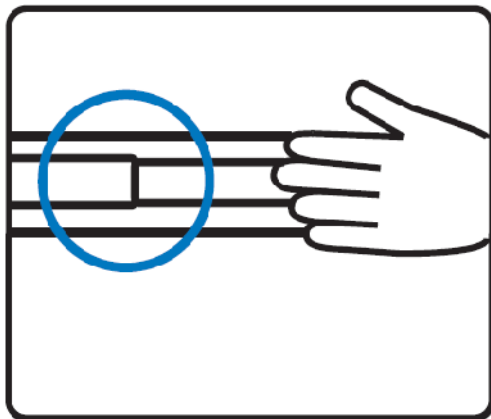


Figure 3.

? Push the LCD keyboard drawer into the rack. (shown in Figure 3).

Caution : Keep your fingers away from the slide stop